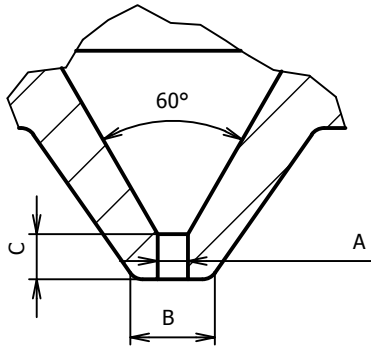


VIEW. B (10 : 1)



SECT. A-SECT. A (5)

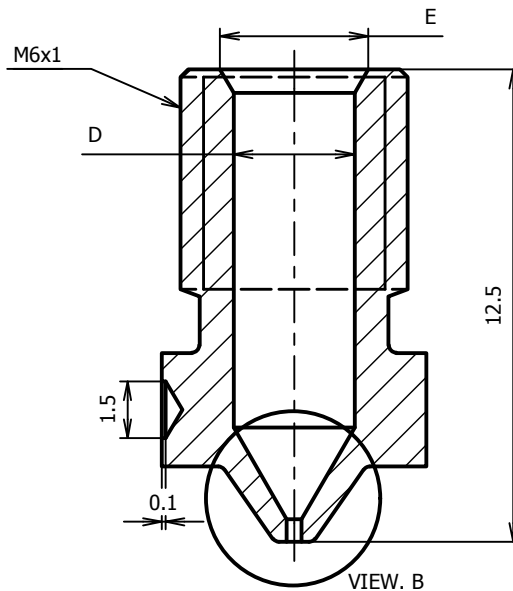
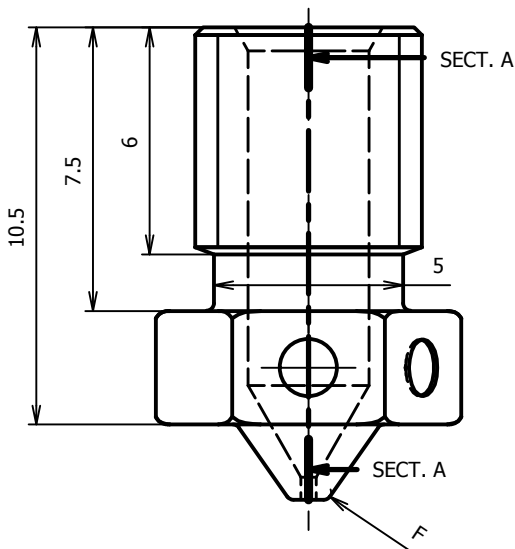
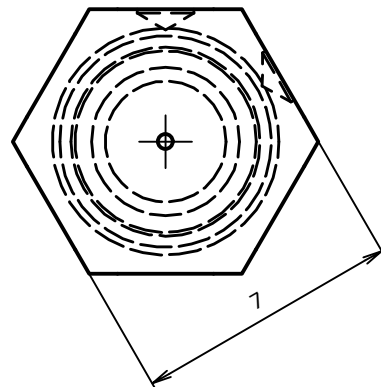


TABLE							
SKU	A	B	C	D	E	F	# Dots
V6-NOZZLE-175-150	0.15	0.30	0.18?	2.0	2.6	0.10	?
V6-NOZZLE-175-250	0.25	0.63	0.38	2.0	2.6	0.10	0
V6-NOZZLE-175-300	0.30	0.75	0.45	2.0	2.6	0.10	1
V6-NOZZLE-175-350	0.35	0.88	0.53	2.0	2.6	0.15	2
V6-NOZZLE-175-400	0.40	1.00	0.60	2.0	2.6	0.20	3
V6-NOZZLE-175-500	0.50	1.25	0.90	2.0	2.6	0.20	6
V6-NOZZLE-175-600	0.60	1.50	1.20	2.0	2.6	0.25	4
V6-NOZZLE-175-800	0.80	2.00	1.60	2.0	2.6	0.30	5
V6-NOZZLE-175-000	UNDRILLED	1.00	0.60	2.0	2.6	0.20	0
V6-NOZZLE-300-150	0.15	0.30	0.18?	3.2	3.9	0.10	?
V6-NOZZLE-300-250	0.25	0.63	0.38	3.2	3.9	0.10	0
V6-NOZZLE-300-300	0.30	0.75	0.45	3.2	3.9	0.10	1
V6-NOZZLE-300-350	0.35	0.88	0.53	3.2	3.9	0.15	2
V6-NOZZLE-300-400	0.40	1.00	0.60	3.2	3.9	0.20	3
V6-NOZZLE-300-500	0.50	1.25	0.90	3.2	3.9	0.20	6
V6-NOZZLE-300-600	0.60	1.50	1.20	3.2	3.9	0.25	4
V6-NOZZLE-300-800	0.80	2.00	1.60	3.2	3.9	0.30	5
V6-NOZZLE-300-000	UNDRILLED	1.00	0.60	3.2	3.9	0.20	0




THIRD ANGLE PROJECTION
 ALL DIMENSIONS IN MM
 MATERIAL: Brass (as v5)
 SCALE: 5:1
 SURFACE FINISH: UNFINISHED UNLESS STATED



Copyright (C) E3D-Online Ltd (e3d-online.com)

These drawings are free hardware: you can redistribute it and/or modify it under the terms of the GNU General Public License as published by the Free Software Foundation, either version 3 of the License, or (at your option) any later version.

Designed by E3D Online - JR	Checked by SM	Approved by SM	Date 20/05/2014	Date 24/06/2016	
 E3D-ONLINE your toolkit for everything 3D printing			E3D-v6 Nozzle Series		
			V6-NOZZLE-(175 300)-([0-8](0 5)0)		Edition 8