



A WORLD LEADER IN FUME EXTRACTION TECHNOLOGY

AD 200 CU

LASER

Last Updated on 08.04.2021



Filtered Cooling Unit to ensure optimal performance and reliability.

BOFA's Advantage 200 Cooling Unit is an electrically driven, cooling air unit. It supplies cool, filtered air to both the laser and power supply module. This clean, cool air ensures optimal laser performance and reliability.

Technology



HEPA filter



ProTECT service plan



SureCHECK quality standard

Key features of the AD 200 CU

Low noise level
Standard

Filter condition indicator
Standard

Stainless steel unit
Standard

HEPA filter
Optional

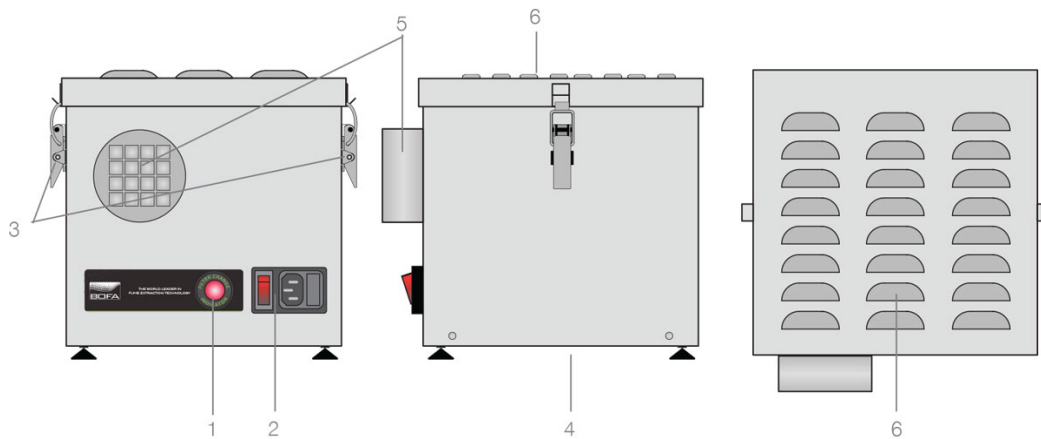
Contact BOFA at <https://bofainternational.com/en/contact/>

<https://bofainternational.com/en/portal/datasheets/ad-200-cu/>





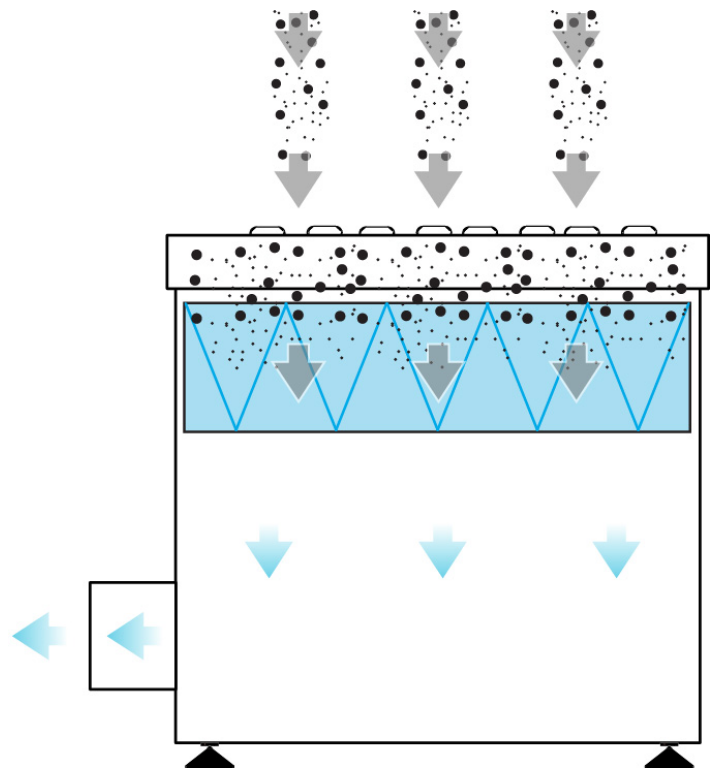
Technical specification

- 1. Unit/filter condition light
- 2. On/off switch - power inlet
- 3. Filter compartment latch
- 4. Motor cooling in & out
- 5. Outlet
- 6. Air inlet



Airflow through filters

-  Pre-filter
-  Clean air
-  Contaminated air
-  Particulate



Technical data

	EU	US
Dimensions (HxWxD)	260 x 250 x 285mm	10.24" x 9.85" x 11.22"
Cabinet Construction	Brushed stainless steel	Brushed stainless steel
Airflow / Pressure	200m ³ /hr / 30mbar	117cfm / 30mbar
Electrical Data	230v Single-phase 1~ 50/60Hz Full load current: 1 amps / 135watts	115v 50/60Hz Full load current: 1.2 amps / 135watts
Noise Level	< 54dBA (at typical operating speed)	< 54dBA (at typical operating speed)
Weight	8.3kg	18lbs
Approvals	UKCA and CE	UKCA and CE

Pre-filter specifications

Filter media	Borosilicate
Filter media construction	50mm folded pleat
Filter efficiency	96% @ 2 microns

Optional HEPA filter specifications

HEPA filter media	Borosilicate
HEPA media construction	Maxi pleat construction with glue bead spacers
Filter efficiency	99.997% @ 0.3 microns

Part numbers

Model	Voltage	Part number
AD 200 CU stainless steel	230V	L1152A
AD 200 CU stainless steel	115V	L1151A

Replacement filters

Model	Pre-filter	Optional HEPA filter
AD 200 CU	A1030162	A1030263

Other languages

AD 200 CU
[French](#)

Datasheet correct at time of publishing.

Where applicable, the carbon used in BOFA units is capable of removing a wide range of VOC's, however it is the responsibility of the user to ensure the carbon is suitable for their application. For specific applications, please contact us for details.

Think before you print! Please consider the environment before printing this document.

