



A Donaldson Company

A WORLD LEADER IN FUME EXTRACTION TECHNOLOGY

# Spark Arrestor 2

LASER

Last Updated on 13.04.2021



Prevents burning particulate from entering the fume extraction unit.

BOFA's Spark Arrestor unit effectively prevents potentially damaging, burning particulates generated during laser marking processes from entering the fume extraction unit.

Hot burning particulate is transported through the specially designed impingement plates positioned within the airflow, slowing the burning particulate down until it finally drops into the removable drop-out chamber, so protecting the fume extractor.

[Watch our Spark Arrestor video](#)

## Technology



Multi voltage sensing (MVS) unit



ProTECT service plan



SureCHECK quality standard

## Key features of the Spark Arrestor

Ideal for processes that generate burning particulate  
Standard

Removable drop-out tray  
Standard

Choice of inlet and outlet sizes  
Standard

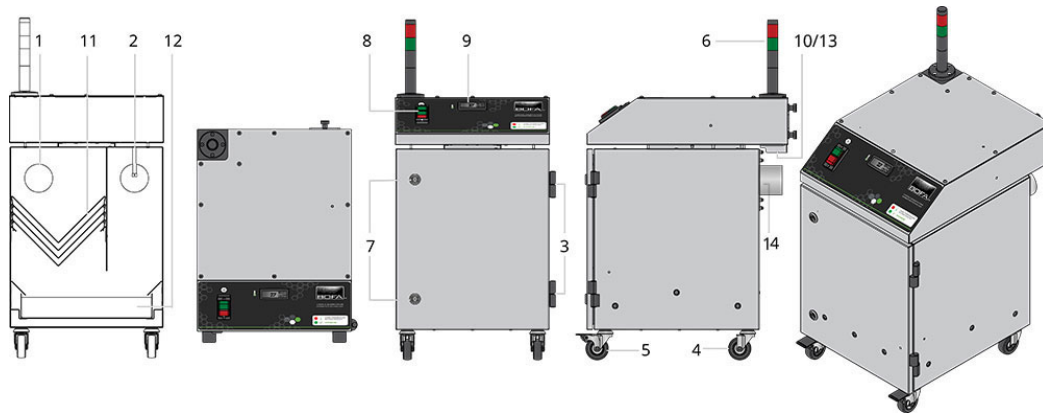
## Technical specification

- 1. Inlet - 76.5mm / 125mm
- 2. Exhaust outlet - 76.5mm / 125mm
- 3. Hinged door
- 4. Castor wheels x 2
- 5. Locking castor wheels x 2
- 6. Warning beacon
- 7. Door latches
- 8. On / off switch
- 9. Temperature display
- 10. Power inlet
- 11. Filter plates
- 12. Drop out tray
- 13. Power outlet
- 14. Temperature sensor

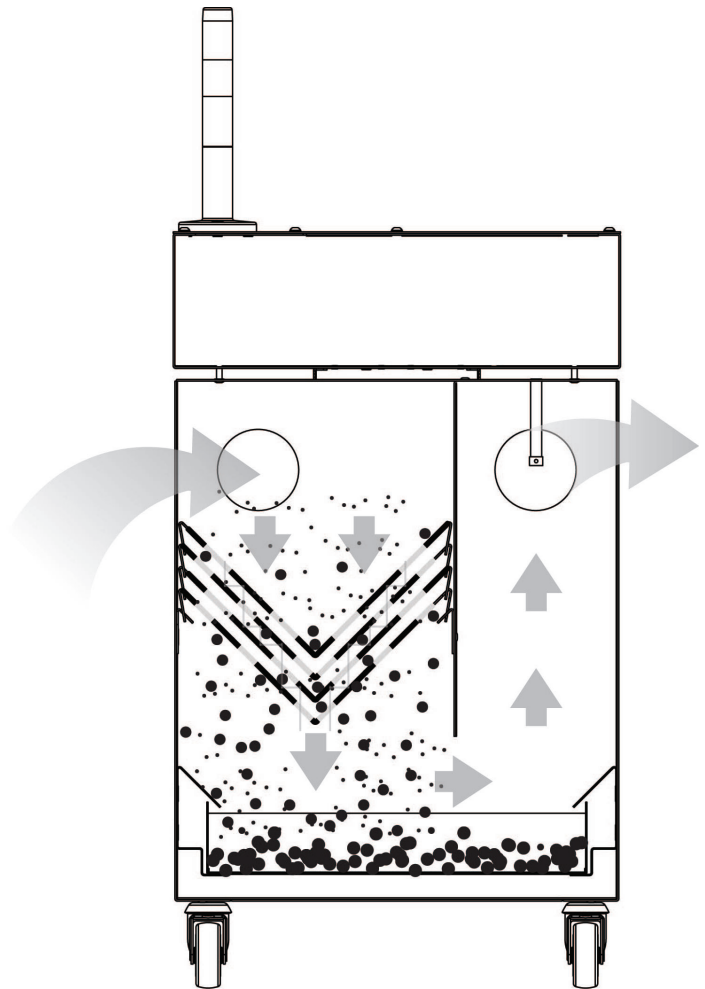
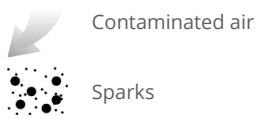
Contact BOFA at <https://bofainternational.com/en/contact/>

<https://bofainternational.com/en/portal/datasheets/spark-arrestor-2/>





## Airflow through unit



### Technical data

	EU	US
Dimensions (HxWxD)	670 x 415 x 535 mm	26.37 x 16.34 x 21.06"
Cabinet construction	Stainless steel	Stainless steel
Electrical data	100-230VAC 1ph Full load current: 0.5 amps	100-230VAC 1ph Full load current: 0.5 amps
Weight	40.5kg	89.28lbs
Approvals	UKCA and CE	

## Unit part numbers

Model	Inlet / outlet size	Part no.
<b>Spark Arrestor</b> Stainless steel	76.5mm (3")	30106163-1924-1
<b>Spark Arrestor</b> Stainless steel	125mm (4.9")	30106163-1924-2
<b>Spark Arrestor</b> Stainless steel	Twin port version: 75mm ports and a spare set of 125mm ports	30106163-1924-3

*Datasheet correct at time of publishing.*

*Where applicable, the carbon used in BOFA units is capable of removing a wide range of VOC's, however it is the responsibility of the user to ensure the carbon is suitable for their application. For specific applications, please contact us for details.*

*Think before you print! Please consider the environment before printing this document.*

