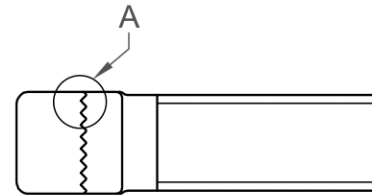
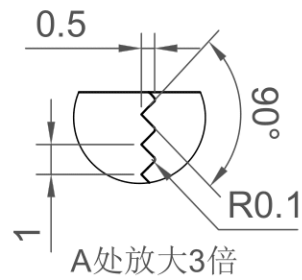
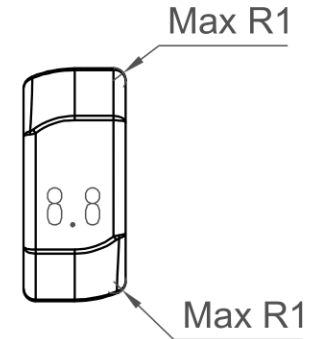
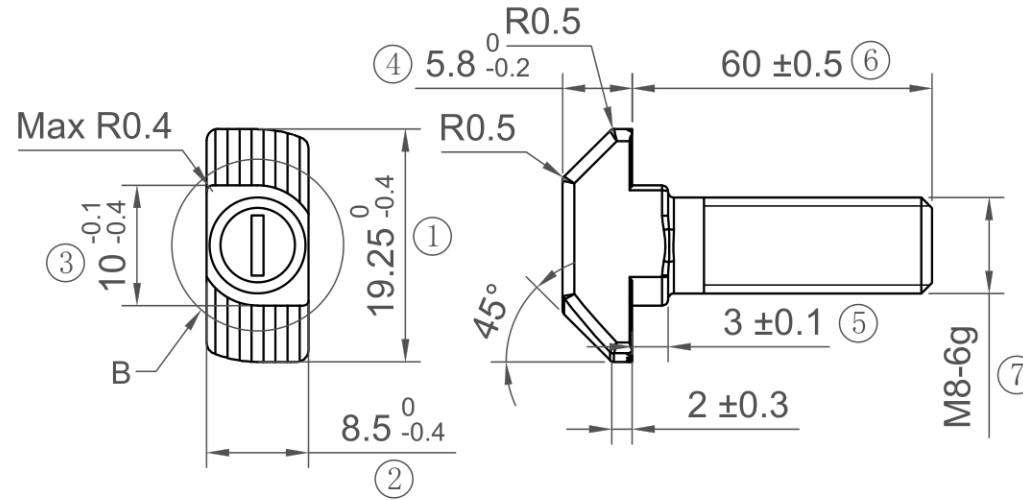
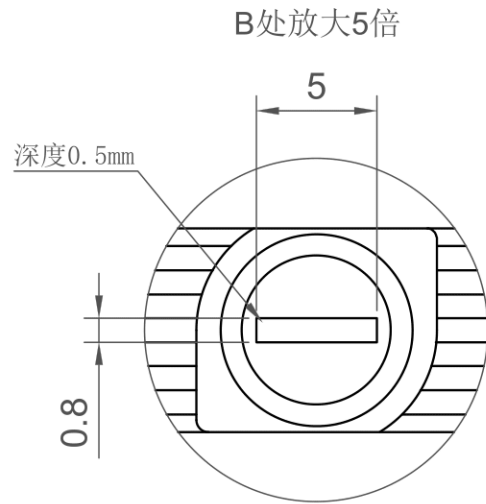


General Tolerances/Allg.Toleranzen DIN ISO2768-mk

| 基本尺寸 | >0.5≤3 | >3≤6 | >6≤30 | >30≤120 | >120≤400 |
|------|--------|------|-------|---------|----------|
| 公差范围 | ±0.1 | ±0.1 | ±0.2 | ±0.3 | ±0.5 |



1. Material: Carbon Steel Level 8.8;
2. Surface treatment: Zinc Plated;
3. Appearance should be without lack materials, smudge and burs;
4. Unspecified length tolerance according to 2768-M intermediate tolerance